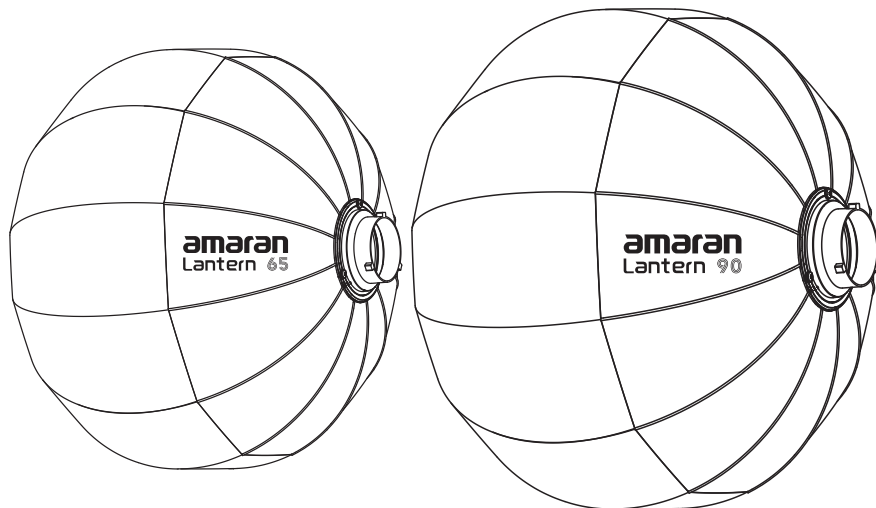


amaran[®]



amaran Lantern 65 / 90

User Manual

English

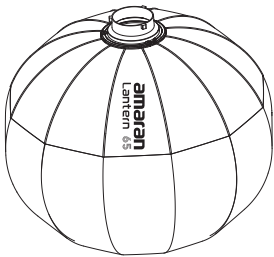
Introduction

Thank you for purchasing the amaran Lantern series.

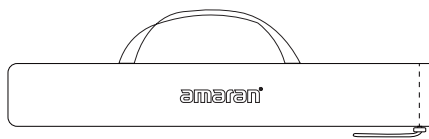
With a 360° omnidirectional design, the amaran Lantern 65 & 90 are crafted for full-room coverage. Perfect for filling every corner of creators' home studios or on-location spaces with an even, ambient light that softens shadows in all directions. Whether lighting group interviews, studio setups, or enhancing any atmosphere, these spherical modifiers offer a simple, effective way to instantly elevate any environment with beautifully diffused light.

Components List

amaran Lantern 65

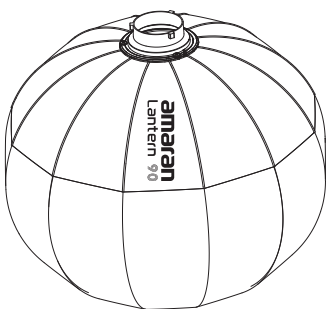


amaran Lantern 65 * 1

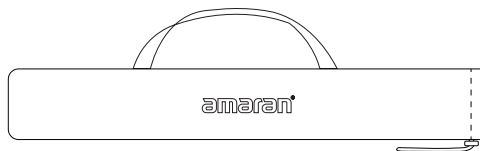


amaran Lantern 65 Carrying Bag * 1

amaran Lantern 90



amaran Lantern 90 * 1



amaran Lantern 90 Carrying Bag * 1

Tip: The illustrations in the manual are diagrams for reference only. Due to the continuous development of new versions of the product, if there are any differences between the product and the user manual diagrams, please refer to the product itself.

Operations

1. Inspection and Preparation:

First, take out the lantern softbox and check its overall structure and fabric for any damage. Ensure that the elastic cord, as shown in the diagram, is securely attached to the standard Bowens mount speed ring. Confirm that all parts are intact and firmly in place without any looseness or damage.

2. Installing the Base:

Press the base downward to ensure that the elongated steel ring can be smoothly installed and fixed onto the pre-set bolt holes at the bottom of the lantern. Make minor adjustments to ensure the steel ring fits tightly against the bottom of the lantern and remains securely fixed.

3. Mounting onto the Light Fixture:

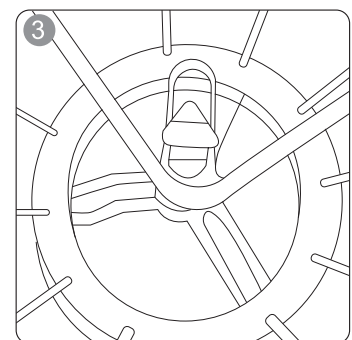
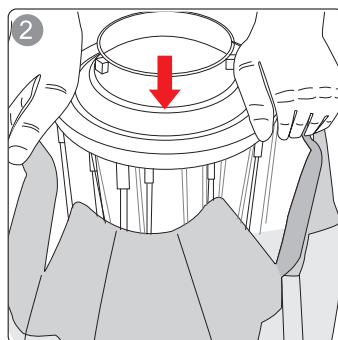
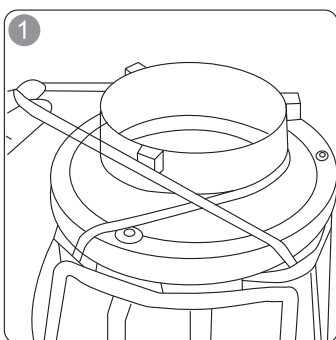
Attach the assembled softbox base to the light fixture's lamp head interface. Ensure that the connection is stable and does not wobble. If necessary, use the provided locking mechanism to enhance connection stability.

4. Adjusting the Frame and Reflective Fabric:

Adjust the gap between the frame and the reflective fabric as needed to ensure a smooth and evenly supported fabric surface. This can be done by slightly adjusting the bending angle of the frame or the tension of the reflective fabric.

5. Ensuring Light Sealing:

Adjust the Velcro fasteners on the reflective fabric to ensure a tight fit, minimizing light leakage and preventing unnecessary light loss or reflections.



Specifications

Product Name	amaran Lantern 65	amaran Lantern 90
Product Dimensions (Unfolded)	57.0×65.0×65.0cm 22.44×25.59×25.59 in	57.0×90.0×90.0cm 22.44×35.43×35.43 in
Product Dimensions (Folded)	85.0x16.0x16.0cm 33.46×6.30×6.30 in	109.0x16.0x16.0cm 42.91×6.30×6.30 in
Net Weight	0.80kg / 1.76lbs	1.00kg / 2.20lbs
Gross Weight	0.90kg / 1.98lbs	1.10kg / 2.43lbs

Important Safety Instructions

When using the amaran softbox series, always follow basic safety precautions, including:

1. Read and understand all instructions before use.
2. Do not disassemble the product yourself. If damaged, please contact customer service.
3. Do not expose the product to high temperatures for extended periods, as this may accelerate aging and deformation.
4. This device is designed for professional use only. Keep it out of reach of children.
5. When used with lighting equipment, certain areas may become hot. Be cautious to avoid burns.
6. Avoid placing the device near flammable and volatile solvents such as alcohol or gasoline.
7. Use the product according to the instructions in the manual. Improper operation may cause damage.
8. This manual is based on company standards. Product design and specifications are subject to change without prior notice.

Disclaimer

It is important to read the product manual of this product prior to use in order to ensure proper use with a complete understanding. The product manual should be securely stored for future reference after reading. Improper operation of this product may result in severe personal injury to yourself or others, as well as potential damage to the product and loss of property. As soon as you use the product, you are deemed to have understood, recognized and accepted all the terms and contents of the product manual. Users assume responsibility for their own conduct and any resulting consequences. amaran is not liable for any damages suffered as a result of the user' s failure to use the product in accordance with product manual.

Please visit the official amarancreators.com website for the latest product information.