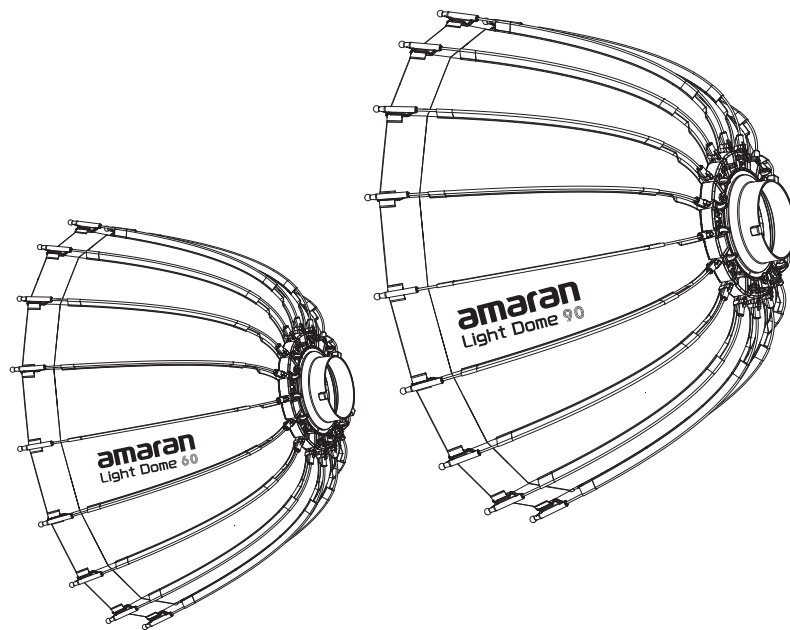


amaran[®]



amaran Light Dome 60 / 90

User Manual

English

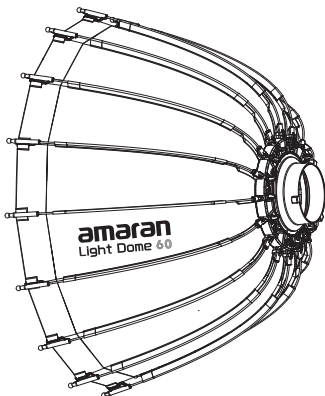
Introduction

Thank you for purchasing the amaran Light Dome series.

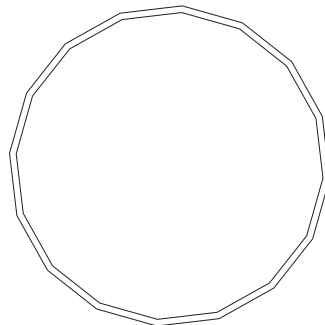
Designed to emulate natural light sources like the sun, the amaran Light Dome 60 & 90 breathes life into any subject with its 16-sided, near-perfect-circle shape. The amaran Light Dome 60 creates a round eye light when capturing close-up portraits and interviews, while the amaran Light Dome 90 provides a broader, soft spread over larger studio setups and group shots. While they are still equipped with a quick-release rod setup by pulling on its 16 rods to lock, the Light Domes are ideal for creators in permanent studio setups who don't need to frequently transport their gear.

Components List

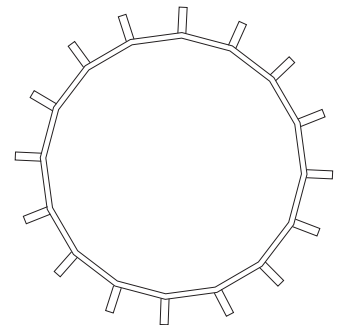
amaran Light Dome 60



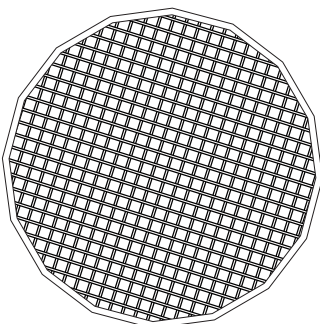
amaran Light Dome 60 * 1



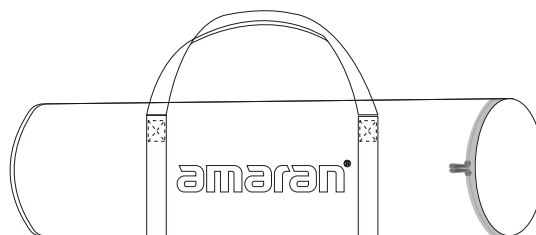
amaran Light Dome 60 1.5
Stop Diffusion Cloth * 1



amaran Light Dome 60
Inner Baffle Diffusion * 1

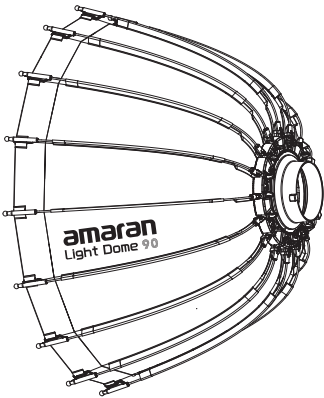


amaran Light Dome 60 Grid* 1

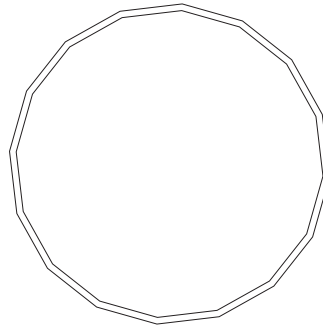


amaran Light Dome 60 Carrying Bag * 1

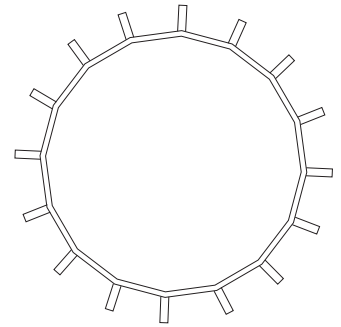
amaran Light Dome 90



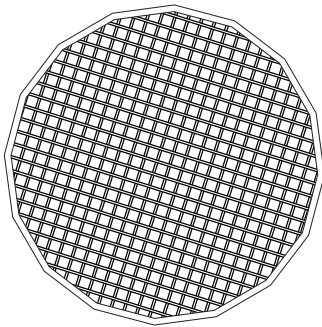
amaran Light Dome 90 * 1



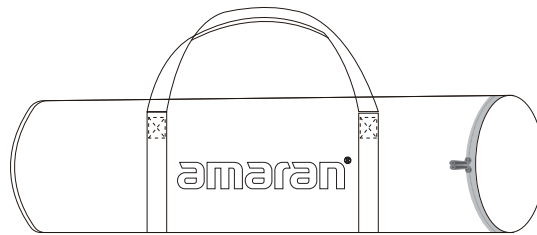
amaran Light Dome 90 1.5
Stop Diffusion Cloth * 1



amaran Light Dome 90
Inner Baffle Diffusion * 1



amaran Light Dome 90 Grid* 1



amaran Light Dome 90 Carrying Bag * 1

Tip: The illustrations in the manual are diagrams for reference only. Due to the continuous development of new versions of the product, if there are any differences between the product and the user manual diagrams, please refer to the product itself.

Operations

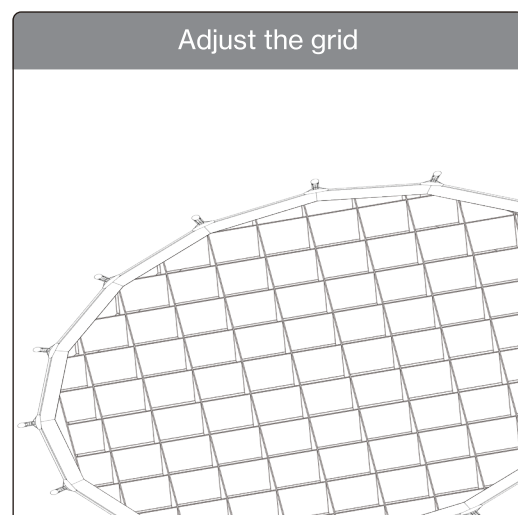
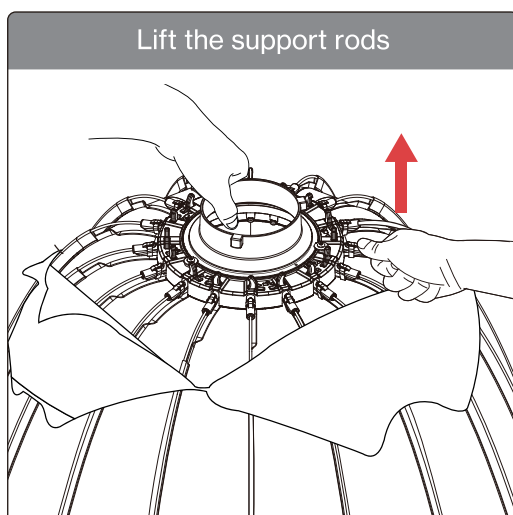
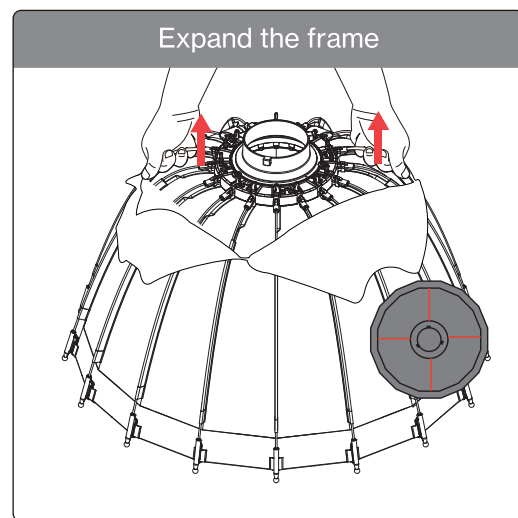
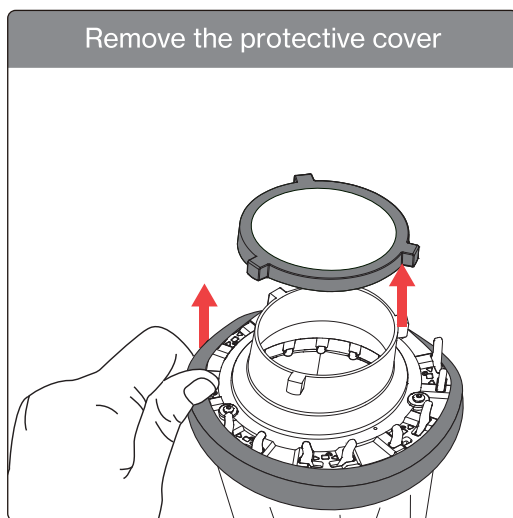
Installation

Preparation: Before installing the softbox, remove the protective cover from the speed ring. Ensure that the softbox and its accessories are intact and undamaged.

Expanding the Frame: First, expand the four main support rods of the softbox in a “cross” shape. Then, gradually lift the remaining 12 support rods one by one.

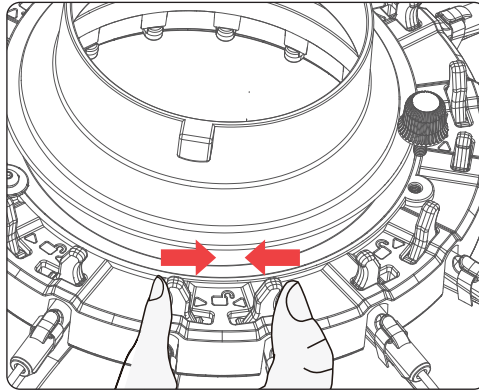
Once you hear a “click” sound, it indicates that the support rods are securely locked into the base. Adjust the diffusion fabric and grid attachment positions as needed to achieve the best soft light effect.

Connecting to the Light Fixture: Align the assembled softbox with the light fixture interface. Securely attach the Bowens mount speed ring to the lamp head, ensuring the softbox is firmly fixed in place.



Disassembly

During disassembly, use two fingers to press the two latches on the base of the softbox simultaneously towards the center. This will release the locking mechanism, allowing the softbox to automatically collapse and fold back into its original shape.



**Symmetrically fold the support rods along the diameter of the softbox base. This method helps reduce wear and tear on the support rods, thereby extending the lifespan of the softbox.*

Specifications

Product Name	amaran Light Dome 60	amaran Light Dome 90
Product Dimensions (Unfolded)	40.0×60.5×60.5cm 15.75×23.82×23.82 in	59.0×92.5×92.5cm 23.23×36.42×36.42 in
Product Dimensions (Folded)	50.5×18.5×18.5cm 19.88×7.28×7.28 in	77.0×18.5×18.5cm 30.31×7.28×7.28 in
Net Weight	1.2kg / 2.65lbs	1.7kg / 3.75lbs
Gross Weight	1.5kg / 3.31lbs	2.0kg / 4.41lbs

Important Safety Instructions

When using the amaran softbox series, always follow basic safety precautions, including:

1. Read and understand all instructions before use.
2. Do not disassemble the product yourself. If damaged, please contact customer service.
3. Do not expose the product to high temperatures for extended periods, as this may accelerate aging and deformation.
4. This device is designed for professional use only. Keep it out of reach of children.
5. When used with lighting equipment, certain areas may become hot. Be cautious to avoid burns.
6. Avoid placing the device near flammable and volatile solvents such as alcohol or gasoline.
7. Use the product according to the instructions in the manual. Improper operation may cause damage.
8. This manual is based on company standards. Product design and specifications are subject to change without prior notice.

Disclaimer

It is important to read the product manual of this product prior to use in order to ensure proper use with a complete understanding. The product manual should be securely stored for future reference after reading. Improper operation of this product may result in severe personal injury to yourself or others, as well as potential damage to the product and loss of property. As soon as you use the product, you are deemed to have understood, recognized and accepted all the terms and contents of the product manual. Users assume responsibility for their own conduct and any resulting consequences. amaran is not liable for any damages suffered as a result of the user' s failure to use the product in accordance with product manual.

Please visit the official amarancreators.com website for the latest product information.