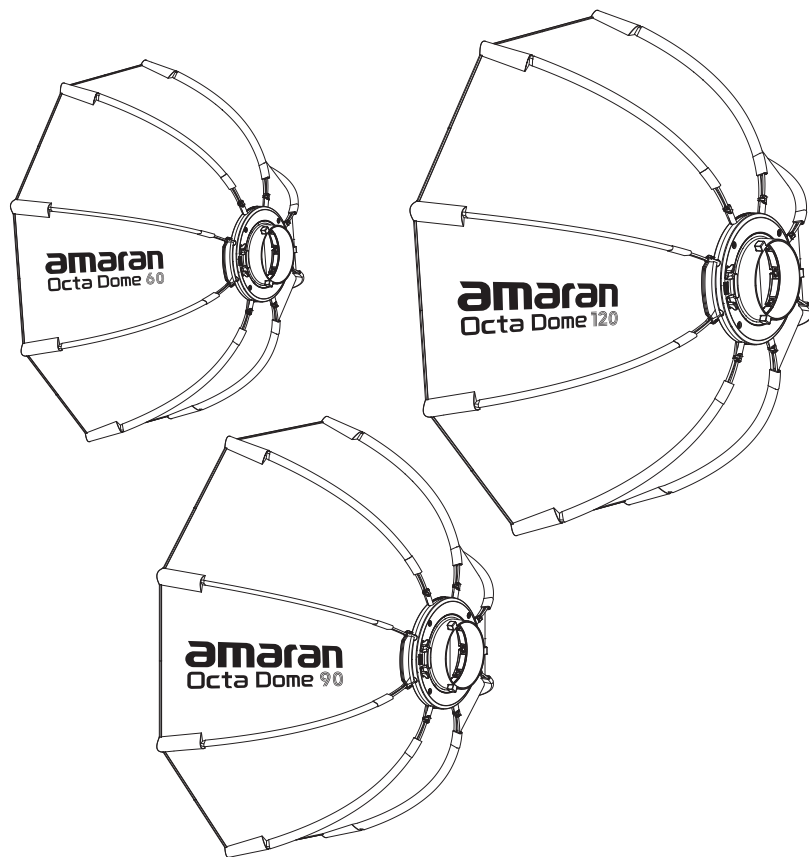


amaran[®]



amaran Octa Dome 60/90/120

User Manual

English

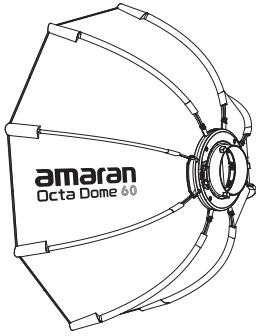
Introduction

Thank you for purchasing the amaran Octa Dome series.

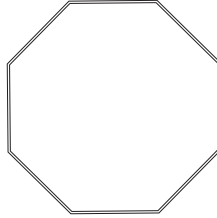
The amaran Octa Domes are perfect portable solutions for creators looking to recreate round light but need a space-saving solution. Its simple one-snap setup makes them easy to build and break down in one second, while its flat-pack design makes them ideal for travel and location-based shoots. With its octagonal shape, you can cast a soft glow over subjects on the go with the Octa Dome 60, light larger scenes on-location with the Octa Dome 90, or craft a more expansive source in larger studios with the Octa Dome 120.

Components List

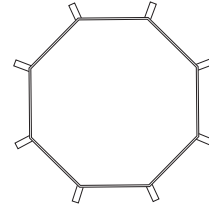
amaran Octa Dome 60



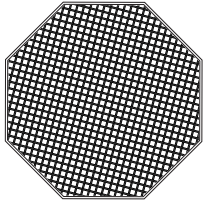
amaran Octa Dome 60 *1



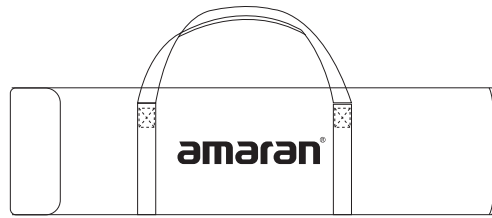
amaran Octa Dome 60
1.5 Stop Diffusion Cloth * 1



amaran Octa Dome 60
Inner Baffle Diffusion * 1

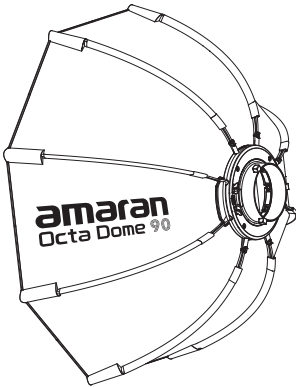


amaran Octa Dome 60 Grid * 1

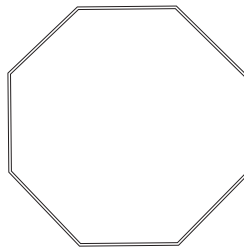


amaran Octa Dome 60 Carrying Bag * 1

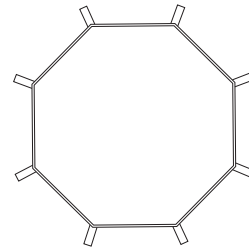
amaran Octa Dome 90



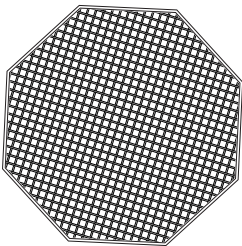
amaran Octa Dome 90 *1



amaran Octa Dome 90
1.5 Stop Diffusion Cloth * 1



amaran Octa Dome 90
Inner Baffle Diffusion * 1

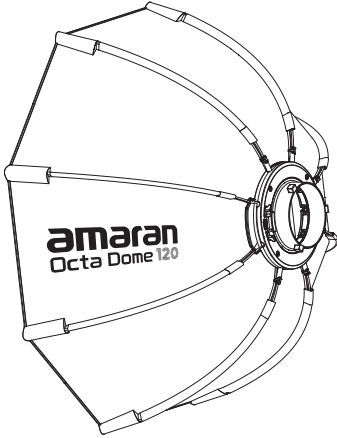


amaran Octa Dome 90 Grid * 1

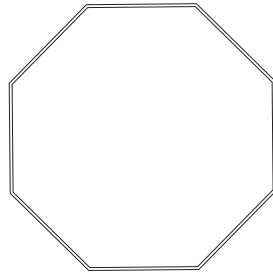


amaran Octa Dome 90 Carrying Bag * 1

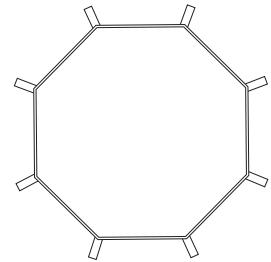
amaran Octa Dome 120



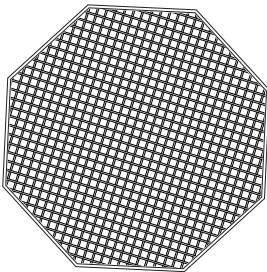
amaran Octa Dome 120 *1



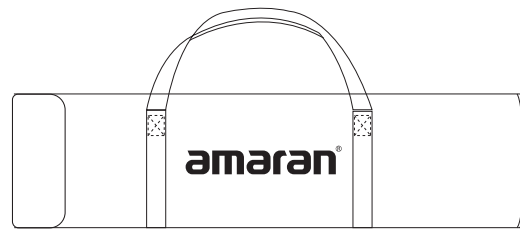
amaran Octa Dome 120
1.5 Stop Diffusion Cloth * 1



amaran Octa Dome 120
Inner Baffle Diffusion * 1



amaran Octa Dome 120 Grid * 1



amaran Octa Dome 120 Carrying Bag * 1

Tip: The illustrations in the manual are diagrams for reference only. Due to the continuous development of new versions of the product, if there are any differences between the product and the user manual diagrams, please refer to the product itself.

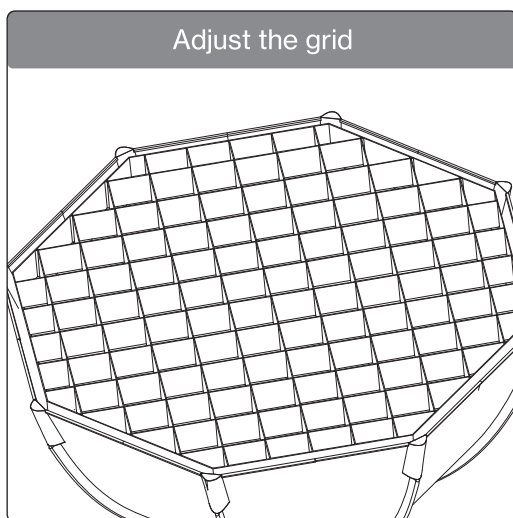
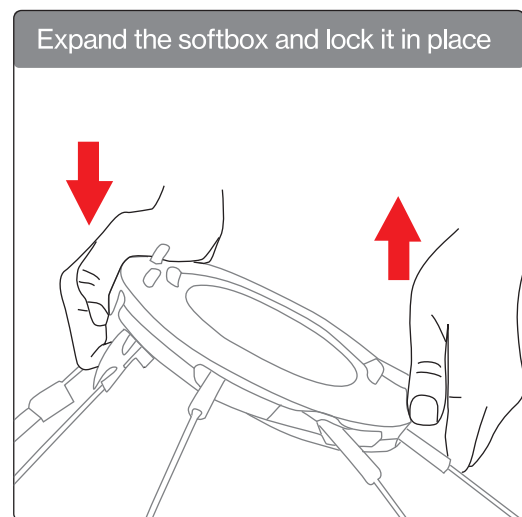
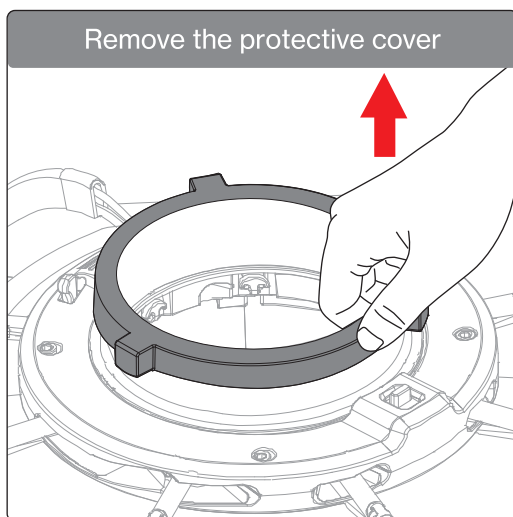
Operations

Installation

Preparation: Before installing the softbox, remove the protective cover from the speed ring. Ensure that the softbox and its accessories are in good condition.

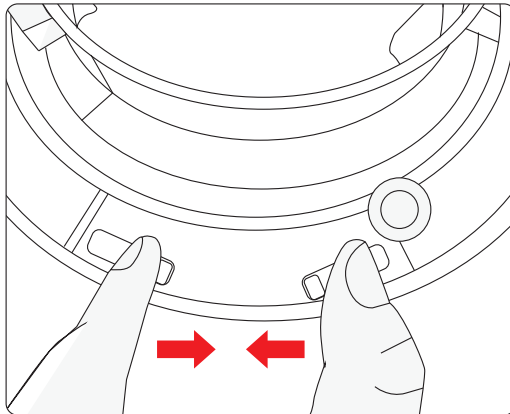
Unfolding the Softbox: Pull up the expansion handle in the indicated direction to fully open the softbox and ensure it is securely locked. Adjust the diffusion fabric and grid attachment positions according to lighting requirements to achieve the best soft light effect.

Connecting to the Light Fixture: Align the assembled softbox with the light fixture interface. Securely attach the Bowens mount speed ring to the lamp head, ensuring that the softbox is firmly fixed in place.



Disassembly

Releasing the Support Rods: When disassembling, use two fingers to press the two latches on the base of the softbox simultaneously towards the center. This will release the locking mechanism, allowing the softbox to automatically collapse and fold.



Specifications

Product Name	amaran Octa Dome 60	amaran Octa Dome 90	amaran Octa Dome 120
Product Dimensions (Unfolded)	39.0×60.0×60.0cm 15.35×23.62×23.62 in	44.5×90.0×90.0cm 17.52×35.43×35.43 in	51.0×120.0×120.0cm 20.08×47.24×47.24 in
Product Dimensions (Folded)	59.0×20.5×6.5cm 23.23×8.07×2.56 in	74.5×22.5×6.5cm 29.33×8.86×2.56 in	88.0×25.0×6.5cm 34.65×9.84×2.56 in
Net Weight	0.70kg / 1.54lbs	1.00kg / 2.20lbs	1.20kg / 2.65lbs
Gross Weight	0.90kg / 1.98lbs	1.20kg / 2.65lbs	1.50kg / 3.31lbs

Important Safety Instructions

When using the amaran softbox series, always follow basic safety precautions, including:

1. Read and understand all instructions before use.
2. Do not disassemble the product yourself. If damaged, please contact customer service.
3. Do not expose the product to high temperatures for extended periods, as this may accelerate aging and deformation.
4. This device is designed for professional use only. Keep it out of reach of children.
5. When used with lighting equipment, certain areas may become hot. Be cautious to avoid burns.
6. Avoid placing the device near flammable and volatile solvents such as alcohol or gasoline.
7. Use the product according to the instructions in the manual. Improper operation may cause damage.
8. This manual is based on company standards. Product design and specifications are subject to change without prior notice.

Disclaimer

It is important to read the product manual of this product prior to use in order to ensure proper use with a complete understanding. The product manual should be securely stored for future reference after reading. Improper operation of this product may result in severe personal injury to yourself or others, as well as potential damage to the product and loss of property. As soon as you use the product, you are deemed to have understood, recognized and accepted all the terms and contents of the product manual. Users assume responsibility for their own conduct and any resulting consequences. amaran is not liable for any damages suffered as a result of the user' s failure to use the product in accordance with product manual.

Please visit the official amarancreators.com website for the latest product information.